

# LED监控照明专用补光灯 LED Monitoring Lighting Light Lamp

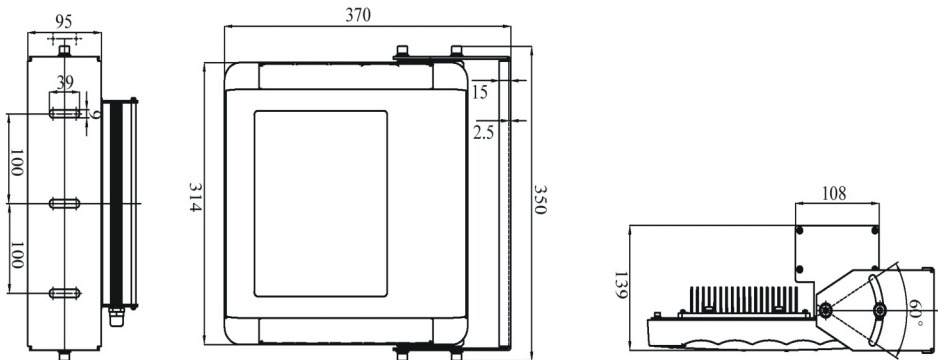
**AU-570**  
**AU-550**



## 关键特点 Features

- ▶ 德国原装大功率SMT LED阵列式白光灯
  - ▶ 智能温度调节装置
  - ▶ 日/夜自动光线开关
  - ▶ 强光锁定功能
  - ▶ 光通量6000lm / 4000lm
  - ▶ 发光角度14° × 48°
  - ▶ 照射范围4m-16m
  - ▶ 照射距离15m-30m
  - ▶ 频率48 Hz-52 Hz
  - ▶ 功耗70W
  - ▶ 整体铝压铸外壳, IP67防护等级
  - ▶ 使用寿命≥50000小时
  - ▶ AC220V电源输入
  - ▶ 电源效率≥85%, 可连续启动
  - ▶ 温度范围-25℃ - +50℃
  - ▶ 350mm(宽) × 370mm (高)
- ▶ The German original high-power SMT LED array white light
  - ▶ Intelligent temperature adjusting device
  - ▶ Day / night automatic light switch
  - ▶ Light lock function
  - ▶ Luminous flux 6000lm / 4000lm
  - ▶ Light angle of 14° × 48°
  - ▶ Irradiation range 4m-16m
  - ▶ Irradiation distance 15m-30m
  - ▶ The frequency of 48 Hz-52 Hz
  - ▶ Power consumption 70W
  - ▶ Integral die cast aluminum housing, Protection class:IP67
  - ▶ Service life over 50000 hours
  - ▶ AC 220V power input
  - ▶ The power efficiency of ≥ 85%, continuous start
  - ▶ The temperature range of -25℃ - +50℃
  - ▶ 350mm (W) × 370mm (H)

## 简图Dimension: (单位Units: mm)



# LED监控照明专用补光灯 LED Monitoring Lighting Light Lamp

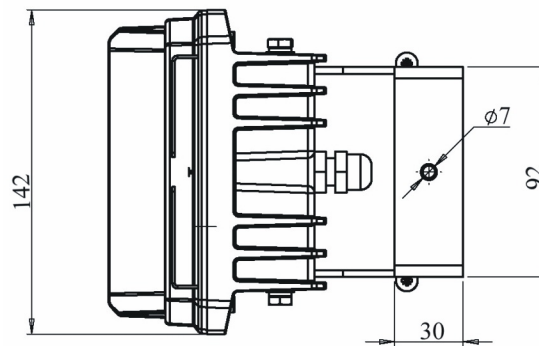
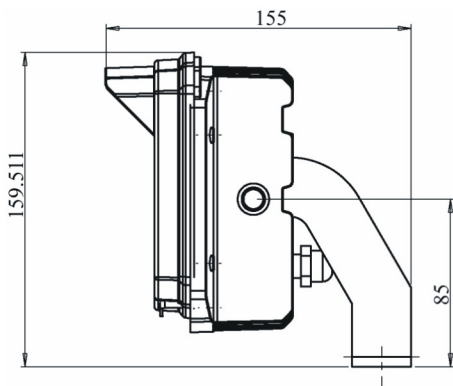
AU-540  
AU-530



## 关键特点 Features

- ▶ 德国原装大功率SMT LED阵列式白光灯
  - ▶ 智能温度调节装置
  - ▶ 日/夜自动光线开关
  - ▶ 强光锁定功能
  - ▶ 光通量1500lm / 1000lm
  - ▶ 发光角度48° / 30° / 14°
  - ▶ 照射范围4m-16m
  - ▶ 照射距离5m-30m
  - ▶ 频率48 Hz-52 Hz
  - ▶ 功耗40W
  - ▶ 整体铝压铸外壳, IP67防护等级
  - ▶ 使用寿命≥50000小时
  - ▶ AC24V电源输入
  - ▶ 电源效率≥85%, 可连续启动
  - ▶ 温度范围-25℃ - +60℃
  - ▶ 140mm(宽)×130mm(高)
- ▶ The German original high-power SMT LED array white light
  - ▶ Intelligent temperature adjusting device
  - ▶ Day / night automatic light switch
  - ▶ Light lock function
  - ▶ Luminous flux 1500lm / 1000lm
  - ▶ Light angle of 48° / 30° / 14°
  - ▶ Irradiation range 4m-16m
  - ▶ Irradiation distance 5m-30m
  - ▶ The frequency of 48 Hz-52 Hz
  - ▶ Power consumption 40W
  - ▶ Integral die cast aluminum housing, Protection class:IP67
  - ▶ Service life over 50000 hours
  - ▶ AC 24V power input
  - ▶ The power efficiency of ≥ 85%, continuous start
  - ▶ The temperature range of -25℃ - +60℃
  - ▶ 140mm (W) × 130mm (H)

## 简图Dimension: (单位Units: mm)



# LED监控照明专用频闪灯 LED Monitoring Lighting Strobe

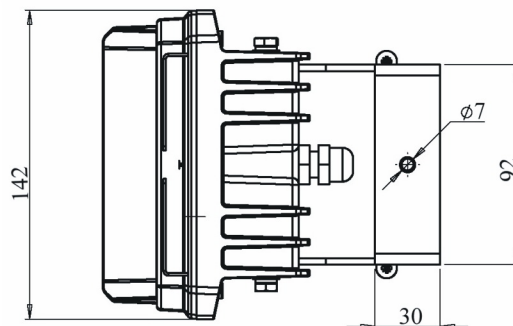
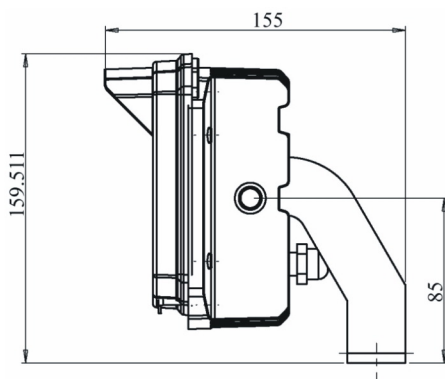
AU-670



## 关键特点 Features

- ▶ 德国原装大功率SMT LED阵列式白光灯
  - ▶ 智能温度调节装置
  - ▶ 日/夜自动光线开关
  - ▶ 强光锁定功能
  - ▶ 支持半亮工作模式
  - ▶ 光通量 $\geq 2000$  lm
  - ▶ 发光角度 $14^\circ$
  - ▶ 照射范围4m-16m
  - ▶ 照射距离15m-30m
  - ▶ 响应时间 $\leq 100$  us
  - ▶ 触发方式 电平+5VDC或开关量
  - ▶ 支持频闪100Hz, 占空比25%连续工作
  - ▶ 频率48 Hz-52 Hz
  - ▶ 功耗40W, 峰值90W
  - ▶ 整体铝压铸外壳, IP67防护等级
  - ▶ 使用寿命 $\geq 50000$ 小时
  - ▶ AC24V电源输入
  - ▶ 电源效率 $\geq 85\%$ , 可连续启动
  - ▶ 温度范围 $-25^\circ\text{C} - +60^\circ\text{C}$
  - ▶ 140mm(宽)  $\times$  130mm (高)
- ▶ The German original high-power SMT LED array white light
  - ▶ Intelligent temperature adjusting device
  - ▶ Day / night automatic light switch
  - ▶ Light lock function
  - ▶ Half brightness mode support
  - ▶ Luminous flux 2000lm
  - ▶ Light angle of  $14^\circ$
  - ▶ Irradiation range 4m-16m
  - ▶ Irradiation distance 15m -30m
  - ▶ Response time is  $\leq 100$  US
  - ▶ Trigger level +5VDC or switch
  - ▶ Support the stroboscopic 100Hz, ratio of 25% continuous work
  - ▶ The frequency of 48 Hz-52 Hz
  - ▶ Power consumption is 40W, peak is 90W
  - ▶ Integral die cast aluminum housing, Protection class:IP67
  - ▶ Service life over 50000 hours
  - ▶ AC 24V power input
  - ▶ The power efficiency of  $\geq 85\%$ , continuous start
  - ▶ The temperature range of  $-25^\circ\text{C} - +60^\circ\text{C}$
  - ▶ 140mm (W)  $\times$  130mm (H)

## 简图Dimension: (单位Units: mm)



# LED监控照明专用红外灯 LED Monitoring Lighting Lamp

AU-328

AU-318



## 关键特点 Features

- ▶ 德国原装大功率SMT LED阵列式红外灯
- ▶ 波长850nm/940nm
- ▶ 智能温度调节装置
- ▶ 日/夜自动光线开关
- ▶ 强光锁定功能
- ▶ 发光功率18W / 12W
- ▶ 发光角度48° / 30° / 14°
- ▶ 照射距离20m - 100m
- ▶ 频率48 Hz - 52 Hz
- ▶ 功耗20W/15W
- ▶ 整体铝压铸外壳, IP67防护等级
- ▶ 使用寿命 ≥ 50000小时
- ▶ AC24V电源输入
- ▶ 电源效率 ≥ 85%, 可连续启动
- ▶ 温度范围 -25°C - +60°C
- ▶ 140mm(宽) × 130mm (高)

- ▶ The German original high-power SMT LED array white light
- ▶ The wavelength of 850nm/940nm
- ▶ Intelligent temperature adjusting device
- ▶ Day / night automatic light switch
- ▶ Light lock function
- ▶ Luminous power consumption 18W / 12W
- ▶ Light angle of 48° / 30° / 14°
- ▶ Irradiation distance 20m - 100m
- ▶ The frequency of 48 Hz - 52 Hz
- ▶ Power consumption 20W/15W
- ▶ Integral die cast aluminum housing, Protection class: IP67
- ▶ Service life over 50000 hours
- ▶ AC 24V power input
- ▶ The power efficiency of ≥ 85%, continuous start
- ▶ The temperature range of -25°C - +60 °C
- ▶ 140mm (W) × 130mm (H)

## 简图Dimension: (单位Units: mm)

