

# 迷你中速球型摄像机

## Mini Medium Speed Dome Camera

### AU-M4 series



#### 产品描述 Description

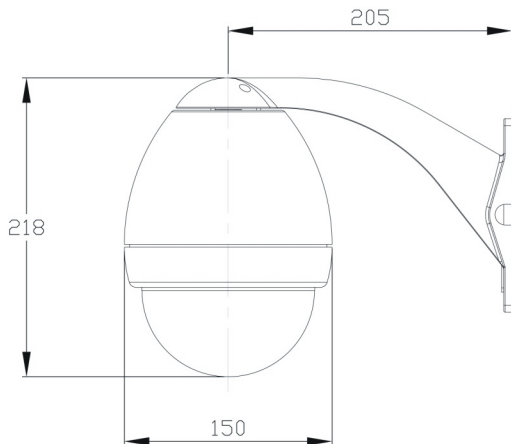
AU-M4系列5" 迷你中速球型摄像机，球机小巧、美观，机芯部分采用一体化集成设计、皮带转动，结构精密，定位精确；外壳为高强度压铸铝；内置高清晰度摄像机，多协议译码板，系统兼容性强。

AU-M4 series 5" Mini Speed Dome Camera is beautiful mini outdoor dome, it is consist of the designed integrative be of high precision construction and location; the crust is made of high-strength aluminum die-casting, and the transparent cover is made by PC, and it is able to stand against destruction; built-in HD camera and multi-protocol decoder board, and the multi-protocol function is compatible.

#### 关键特点 Features

- ▶ 采用SONY高性能CCD图像传感器
  - ▶ 支持Pelco-P/D多种485通讯协议
  - ▶ 128个预置位
  - ▶ 水平360° 旋转，速度达0.1° - 240° /秒
  - ▶ 垂直-90° - +10° ，速度达0.1° - 120° /秒
  - ▶ 2条扫描轨迹
  - ▶ 长焦限速，云台的转速随镜头的倍率自动调整
  - ▶ 防护等级IP66
- ▶ SONY high performance CCD image sensor
  - ▶ Support Pelco-P/D,AD multi-protocol
  - ▶ 128 preset positions
  - ▶ 360° horizontal rotation at up to 0.1° - 240° /s
  - ▶ -90° - +10° vertical rotation at up to 0.1° - 120° /s
  - ▶ Scanning has 2 group
  - ▶ Long-focus speed limit function, PTZ speed follow with the lens zoom
  - ▶ Protection class: Ip66

#### 简图 Dimension: (单位 Units: mm)



## 规格 Specification

型号Model	AU-M4-WB23X	AU-M4-WB25N
光学倍率Optical zoom	23X	23X
视频类型Video type	PAL/NTSC(日夜转换D/N mode)	PAL/NTSC(日夜转换D/N mode)
扫描系统Scanning system	2: 1隔行扫描2: 1 Interlaced	2: 1隔行扫描2: 1 Interlaced
有效像素Effective pixels	752(H) × 582(V)	752(H) × 582(V)
图像感应器Image sensor	1/4" CCD	1/4" CCD
视频输出Video output	1.0V[p-p] 75Ω	1.0V[p-p] 75Ω
水平分辨率Horizontal resolution	650TVL	580TVL
信噪比S/N ratio	>50dB	>50dB
镜头Lens	f4.7-84.6mm (F1.4)	f3.6-82.8mm (F1.6)
数字变焦Digital zoom	10X	10X
最低照度Min. illumination	彩色color:0.1Lux 黑白B/W:0.01Lux	彩色color:0.5Lux 黑白B/W:0.05Lux
聚焦控制Focus control	自动/手动优先及预置位聚焦Auto/manual priority focus	自动/手动优先及预置位聚焦Auto/manual priority focus
光圈控制Iris control	自动/手动优先Auto/manual priority	自动/手动优先Auto/manual priority
背光补偿Backlight compensation	开/关ON/OFF	开/关ON/OFF
白平衡White balance	自动/手动优先 R、B可调Auto/manual R、B adjustable	自动/手动优先 R、B可调Auto/manual R、B adjustable
快门速度Shutter speed	自动/手动选择(1/50-1/10,000) Auto/manual(1/50-1/10,000)	自动/手动选择(1/50-1/10,000) Auto/manual(1/50-1/10,000)
AGC控制AGC control	自动/手动优先Auto/manual priority	自动/手动优先Auto/manual priority
同步系统Synchronization system	内置同步Built-in synchronous	内置同步Built-in synchronous
开机自检Self-checking	有, 自动停止到1号预置位Yes, auto to preset 1	
预置位Preset position	128个	
通讯协议Communication protocol	P-P/D(2400 4800 9600)	
通讯地址ID address	512个	
扫描轨迹Scan	2条2 groups	
自动归位Auto back home	有Yes	
水平范围Pan range	360° 旋转 360° endless	
水平速度Pan speed	0.1° - 240° /s	
垂直范围Tilt range	-90° - +10°	
垂直速度Tilt speed	0.1° - 120° /s	
长焦限速Long-focus speed limit	云台转速随镜头倍率自动调整PTZ speed follow with the lens zoom	
自动翻转Auto-flip	垂直90° 90° vertical	
风扇/加热器Fan/heater	自动Auto	
恢复默认值Restore the default setting	支持Support	
远程摄像机复位Remote camera reset	支持Support	
远程云台复位Remote PTZ reset	支持Support	
静电/浪涌保护 Electrostatic/surge protection	GB/T17626.5-2008	
外壳防护等级Enclosure protection class	IP66	
电源Power supply	DC12V电源输入 DC12V power input	
功率Power consumption	<50W	
工作温度Operation temperature	-20°C - +50°C	
环境湿度Environmental humidity	0-90% ( non-condensing )	
外形尺寸Dimension	Φ150×218mm (H)	
产品重量Weight	2.3Kg	

## 支架(选配件)Brackets(Optional)

室外球吊装支架 Outdoor ceiling mount AU-BW11	室外球墙装支架 Outdoor wall mount AU-BW12	AC220V→DC12V室内球电源 AC220V→DC12V Power supply AU-S22	室外球5" 烟色罩 Outdoor 5" dark cover AU-S05A
