

# 高速球型摄像机 High Speed Dome Camera

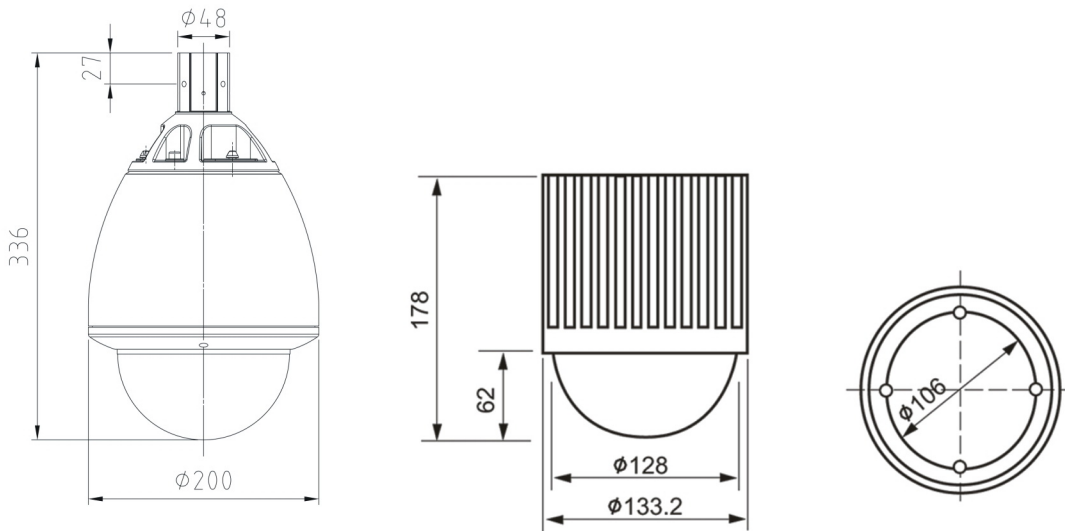
## AU-G3 series



### 关键特点 Features

- ▶ 采用SONY高性能CCD图像传感器
  - ▶ 支持Pelco-P/D,AD多种485通讯协议
  - ▶ 外部快速安装设计, 美国ANP快装口
  - ▶ 128个预置位
  - ▶ 水平360° 旋转, 速度达0.1° - 240° /秒
  - ▶ 垂直-90° - +10° , 速度达0.1° - 120° /秒
  - ▶ 3D定位功能
  - ▶ 2条扫描轨迹
  - ▶ 长焦限速, 云台的转速随镜头的倍率自动调整
  - ▶ 防护等级IP66
  - ▶ AC24V电源输入
- ▶ SONY high performance CCD image sensor
  - ▶ Support Pelco-P/D,AD multi-protocol
  - ▶ Quick installation design, AMP Quick Installation mouth
  - ▶ 128 preset positions
  - ▶ 360° horizontal rotation at up to 0.1° - 240° /s
  - ▶ -90° - +10° vertical rotation at up to 0.1° - 120° /s
  - ▶ 3D positioning function
  - ▶ Scanning has 2 groups
  - ▶ Long-focus speed limit function, PTZ speed follow with the lens zoom
  - ▶ Protection class: IP66
  - ▶ AC24V power input

### 简图Dimension: (单位Units: mm)



## 规格 Specification

型号Model	AU-G3-WB18	AU-G3-WB28	AU-G3-WB36
	AU-G3-SB18	AU-G3-SB28	AU-G3-SB36
光学倍率Optical zoom	18X	28X	36X
视频类型Video type	PAL/NTSC(日夜转换D/N mode)	PAL/NTSC(日夜转换D/N mode)	PAL/NTSC(日夜转换D/N mode)
扫描系统Scanning system	2: 1隔行扫描2: 1 Interlaced	2: 1隔行扫描2: 1 Interlaced	2: 1隔行扫描2: 1 Interlaced
有效像素Effective pixels	752(H) × 582(V)	752(H) × 582(V)	752(H) × 582(V)
图像感应器Image sensor	1/4" CCD	1/4" CCD	1/4" CCD
视频输出Video output	1.0V[p-p] 75Ω	1.0V[p-p] 75Ω	1.0V[p-p] 75Ω
水平分辨率Horizontal resolution	550TVL	550TVL	550TVL
信噪比S/N ratio	>50dB	>50dB	>50dB
镜头Lens	f4.1-73.8mm (F1.4)	f3.5-98mm (F1.35)	f3.4-122.4mm (F1.6)
数字变焦Digital zoom	12X	12X	12X
最低照度Min. illumination	彩色color:0.7Lux 黑白B/W:0.01Lux	彩色color:0.25Lux 黑白B/W:0.01Lux	彩色color:1.4Lux 黑白B/W:0.01Lux
聚焦控制Focus control	自动/手动优先及预置位聚焦 Auto/manual priority focus	自动/手动优先及预置位聚焦 Auto/manual priority focus	自动/手动优先及预置位聚焦 Auto/manual priority focus
光圈控制Iris control	自动/手动优先 Auto/manual priority	自动/手动优先 Auto/manual priority	自动/手动优先 Auto/manual priority
对焦速度Focus speed	1.9/3.6/6.0 秒可选 1.9/3.6/6.0 sec optional	1.9/3.6/6.0 秒可选 1.9/3.6/6.0 sec optional	1.9/3.6/6.0 秒可选 1.9/3.6/6.0 sec optional
宽动态范围Wide dynamic range	开/关ON/OFF	开/关ON/OFF	开/关ON/OFF
背光补偿Backlight compensation	开/关ON/OFF	开/关ON/OFF	开/关ON/OFF
白平衡White balance	自动/手动优先 R、B可调 Auto/manual R、B adjustable	自动/手动优先 R、B可调 Auto/manual R、B adjustable	自动/手动优先 R、B可调 Auto/manual R、B adjustable
快门速度Shutter speed	自动/手动选择(1/1-1/10,000) Auto/manual(1/1-1/10,000)	自动/手动选择(1/1-1/10,000) Auto/manual(1/1-1/10,000)	自动/手动选择(1/1-1/10,000) Auto/manual(1/1-1/10,000)
AGC控制AGC control	自动/手动优先Auto/manual priority	自动/手动优先Auto/manual priority	自动/手动优先Auto/manual priority
同步系统Synchronization system	内置同步Built-in synchronous	内置同步Built-in synchronous	内置同步Built-in synchronous
开机自检Self-checking	有, 自动停止到1号预置位Yes, auto to preset 1		
预置位Preset position	128个		
通讯协议Communication protocol	P-P/D(2400 4800 9600)		
通讯地址ID address	512个		
外部快速安装Quick installation	美国AMP快装口(室外型) AMP Quick Installation mouth(outdoor)		
扫描轨迹Scan	2条2 groups		
自动归位Auto back home	有Yes		
水平范围Pan range	360° 旋转 360° endless		
水平速度Pan speed	0.1° - 240° /s		
垂直范围Tilt range	-90° - +10°		
垂直速度Tilt speed	0.1° - 120° /s		
3D定位3D positioning	支持Support		
长焦限速Long-focus speed limit	云台转速随镜头倍率自动调整PTZ speed follow with the lens zoom		
自动翻转Auto-flip	垂直90° 90° vertical		
风扇/加热器Fan/heater	自动Auto		
恢复默认值Restore the default setting	支持Support		
远程摄像机复位Remote cameras reset	支持Support		
远程云台复位Remote PTZ reset	支持Support		
静电/浪涌保护 Electrostatic/surge protection	GB/T17626.5-2008		
外壳防护等级 Enclosure protection class	IP66(室外球机outdoor)		
电源Power supply	AC24V 电源输入AC24V power input		
功率Power consumption	<50W(室外球机outdoor), <20W(室内球机indoor)		
工作温度Operation temperature	-30°C - +60°C(室外球机outdoor), 0°C - +50°C(室内球机indoor)		
环境湿度Environmental humidity	0-90% ( non-condensing )		
外形尺寸Dimension	φ 200 × 336mm (H) (室外球机outdoor), φ 133 × 178mm (H) (室内球机indoor)		
产品重量Weight	4.5Kg(室外球机outdoor), 1.4Kg(室内球机indoor)		