

# 高清高速球型摄像机 HD speed dome camera

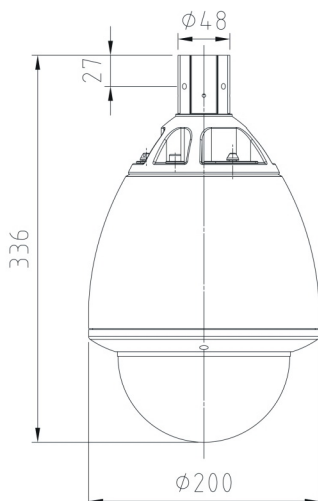
## AU-G61-HD series



### 关键特点 Features

- ▶ 采用SONY高性能1/3"英寸130万/200万CMOS图像传感器
- ▶ 采用TI达芬奇系列高性能DSP，最高支持1920\*1080/30fps的视频输出
- ▶ 水平360° 旋转，速度达300° /秒
- ▶ 垂直-90° -+10° ，速度达150° /秒
- ▶ 256个预置位
- ▶ 2种扫描方式, 9条扫描轨迹
- ▶ 自动归位功能
- ▶ 长焦限速功能,云台的转速随镜头的倍率自动调整
- ▶ 多种网络监控方式相结合(手机、WEB、客户端), Onvif 2.2, 使用更方便
- ▶ 灵活的网络扩展能力, 适应各种网络平台监控系统。
- ▶ 防护等级IP66
- ▶ AC24V电源输入
- ▶ SONY high performance 1/3" 1.3 Mega pixel or 2 Mega pixel CMOS image sensor
- ▶ TI Da Vinci series high performance DSP, the highest support 1920 \* 1080/30 FPS video output
- ▶ 360° horizontal rotation at up to 300° /s
- ▶ -90° - +10° vertical rotation at up to 150° /s
- ▶ 256 preset positions
- ▶ 2 scanning modes, 9 SEQ tracking
- ▶ Auto back home function
- ▶ Long-focus speed limit function, PTZ speed follow with the lens zoom
- ▶ Support multiple network methods: mobile phone, WEB, client and Onvif 2.2
- ▶ Can be work with multiple of network software systems
- ▶ Protection class: IP66
- ▶ AC24V power input

### 简图Dimension: (单位Units: mm)



## 规格 Specification

型号Model	AU-G61-HD20D	AU-G61-HD22D
图像传感器Image sensor	1/3" CMOS	1/3" CMOS
有效像素Effective pixels	1280 X 960	1920 X 1080
水平解析度Horizontal resolution	720TVL(彩色color)	1000TVL(彩色color)
光学倍率Optical zoom	20X	20X
焦距Focal length	f4.7 -94mm ( F1.4 )	f4.7 -94mm ( F1.4 )
最低照度Min. Illumination	彩色color: 0.5Lux 黑白B/W: 0.05Lux	彩色color: 0.5Lux 黑白B/W: 0.05Lux
增益控制Gain control	自动/手动Auto/Manual	
白平衡White Balance	自动/手动/跟踪/室外/室内/室外自动Auto/Manual/Tracking/Outdoor/Indoor/Outdoor auto	
数字变焦Digital zoom	16X	
背光补偿Back light compensation	开/关ON/OFF	
电子快门Electronic shutter	1/1 ~ 1/30000	
光圈控制Iris control	手动/自动Manual/Auto	
宽动态Wide dynamic	支持Support	
数字降噪Digital noise reduction	支持Support	
信噪比S/N ratio	> 50dB ( AGC Off )	
画面翻转Picture flip	支持Support	
曝光补偿Exposure compensation	支持Support	
日夜模式D/N mode	手动/自动Manual/Auto	
WEB菜单WEB menu	支持Support	
开机自检Self-checking	有, 自动停止到1号预置位Yes, Auto to preset 1	
预置位Preset position	80个	
可编程预置位扫描 Programmable preset scanning	8条	
两点间扫描P2P Scan	1条	
可编程自动归位 Programmable automatic homing	可设置3种模式3 kinds of patterns can be setting	
水平范围Pan range	360° 旋转 360° endless	
水平速度Pan speed	0.1° - 300° /S	
垂直范围Tilt range	-90° - +10°	
垂直速度Tilt speed	0.1° - 150° /S	
长焦限速Long-focus speed limit	云台转速随镜头倍率自动调整 PTZ speed follow with the lens zoom	
断电记忆Power off memory	支持Support	
风扇/加热器Fan/heater	自动 Auto	
恢复默认值Restore the default setting	支持Support	
远程摄像机复位Remote reset cameras	支持Support	
远程云台复位Remote PTZ reset	支持Support	
通讯接口Communication interface	1路10M/100M自适应以太网, RJ45接口, 1路RS485接口 1-10 M / 100M adaptive Ethernet, RJ45 interface, 1-RS485 interface	
系统资源System resources	同时支持实时网络监视、本地录像和远程操作 Support real-time network monitoring, local video and remote operation in the same time	
用户接口User interface	ONVIF、WEB、DSS、PSS等远程操作界面ONVIF, WEB, DSS, PSS remote operation interface	
视频分辨率Video resolution	主码流 ( 1280 X 960 ), 辅码流 ( D1 ) Main stream ( 1280 X 960 ), Auxiliary stream ( D1 )	主码流 ( 1920 X 1080 ), 辅码流 ( D1 ) Main stream ( 1920 X 1080 ), Auxiliary stream ( D1 )
本地存储The local store	SD卡, 支持热插拔SD card, support hot plug	
系统状态The system state	SD卡状态信息, 码流统计, 日志记录, 软件版本, 在线用户 SD card state information, code flow statistics, logging, software version, online users	
音频压缩标准 Audio compression standard	G.711A/G.711Mu/PCM	
网络协议Network protocol	支持HTTP, TCP/IP, UDP, DNS, DDNS, PPPOE等协议 Support HTTP, TCP/IP, UDP, DNS, DDNS, PPPOE etc. Network protocols	
视频压缩标准 Video compression standard	H.264/H.264B/H.264H/MJPEG	
防护等级 Protection class	IP66	
电源Power supply	AC24V电源输入AC24V Power input	
功率Power consumption	50W	
工作温度Operation temperature	-30℃ - +60℃	
环境湿度Environmental humidity	0-90% ( non-condensing )	
外形尺寸Dimension	Φ200×336mm (H)	
产品重量Weight	5Kg	