

红外车载一体化高速云台摄像机 Infrared Vehicle Integration High Speed PTZ Camera

AU-G51-WB series



产品描述Description

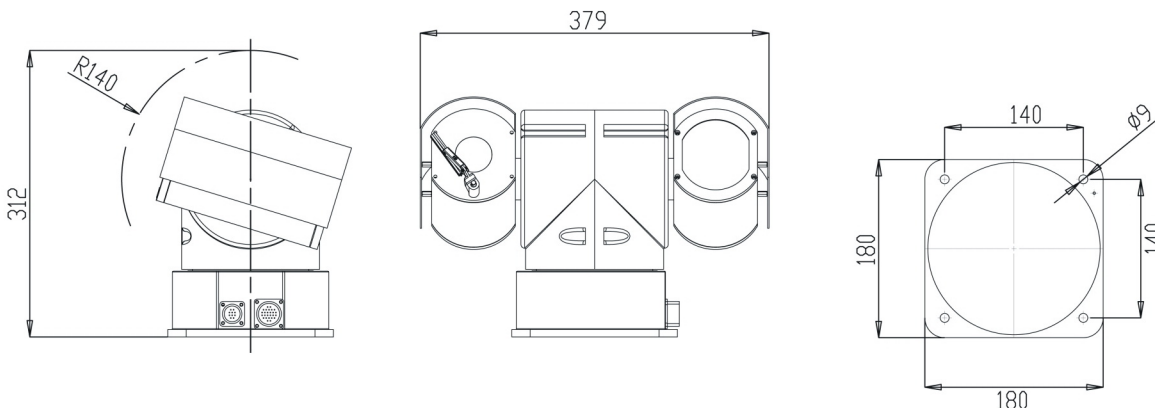
AU-G51系列红外车载一体化高速云台摄像机，可选配多种LED阵列红外灯(850nm/940nm)或LED阵列白光灯，其红外夜视距离最远可达100m，按照户外监视要求无外露线一体化集成设计。集成了一体化模组、360° 旋转高速云台，防护罩，电源，雨刷，风扇，加热器于一体。适合各种车辆安装。

AU-G51 series infrared vehicle integration high speed PTZ camera, are suitable for many kinds of LED Lamps (Infrared-850nm / 940nm or white), the Infrared distance can up to 150m, according to the requirements of outdoor surveillance without exposed line integrated design. That Integrates the camera module, 360 degrees of rotational speed PTZ, high speed, housing, power supply, wiper, fan, heater together. Can for the many types of vehicles.

关键特点 Features

- ▶ 户外一体化无外露线设计
- ▶ 可选配多种LED阵列红外灯或LED阵列白光灯
- ▶ 窗口除霜器
- ▶ 雨刷双重防水设计
- ▶ 直流10V-30V宽电源设计
- ▶ 长焦限速功能
- ▶ 断电记忆功能
- ▶ 防护等级IP66
- ▶ 水平360° 旋转，速度达80° /秒
- ▶ 垂直+90° -90°，速度达60° /秒
- ▶ DC12V 输入
- ▶ Outdoor integration without exposed line design
- ▶ Optional many kinds of LED infrared lamps or white lamps
- ▶ Built-in window defroster
- ▶ Wiper function double waterproof design
- ▶ DC 10V-30V wide power supply design
- ▶ Long-focus speed limit function
- ▶ Power off memory
- ▶ Protection class:IP66
- ▶ 360° horizontal rotation at up to 80° /s
- ▶ -90° - +90° vertical rotation at up to 60° /s
- ▶ DC12V power input

简图Dimension: (单位Units: mm)



规格 Specification

型号Model	AU-G51-WB23	AU-G51-WB28	AU-G51-WB36
光学倍率Optical zoom	23X	28X	36X
视频类型Video type	PAL/NTSC (日夜转换D/N mode)	PAL/NTSC (日夜转换D/N mode)	PAL/NTSC (日夜转换D/N mode)
扫描系统Scanning system	2: 1隔行扫描Interlaced	2: 1隔行扫描Interlaced	逐行扫描Progressive
有效像素Effective pixels	752(H) × 582(V)	752(H) × 582(V)	752(H) × 582(V)
图像传感器Image sensor	1/4" CCD	1/4" CCD	1/4" CCD
视频输出Video output	1.0V[p-p] 75Ω	1.0V[p-p] 75Ω	1.0V[p-p] 75Ω
有效像素Effective pixels	580TVL	550TVL	550TVL
信噪比S/N ratio	>50dB	>50dB	>50dB
镜头Lens	f3.6-82.8mm (F1.6)	f3.5-98mm (F1.35)	f3.4-122.4mm (F1.6)
数字变焦Digital zoom	10X	12X	12X
最低照度Min. illumination	彩色color:0.5Lux 黑白B/W:0Lux (红外灯开启infrared lamps open)	彩色color:0.25Lux 黑白B/W:0Lux (红外灯开启infrared lamps open)	彩色color:1.4Lux 黑白B/W:0Lux (红外灯开启infrared lamps open)
聚焦控制Focus control	自动 / 手动优先及预置位聚焦 Auto/manual priority	自动 / 手动优先及预置位聚焦 Auto/manual priority	自动 / 手动优先及预置位聚焦 Auto/manual priority
光圈控制Iris control	自动 / 手动优先Auto/manual priority	自动 / 手动优先Auto/manual priority	自动 / 手动优先Auto/manual priority
对焦速度Focus speed	1.9/3.6/6.0 秒可选 1.9/3.6/6.0 sec optional	1.9/3.6/6.0 秒可选 1.9/3.6/6.0 sec optional	1.9/3.6/6.0 秒可选 1.9/3.6/6.0 sec optional
宽动态范围Wide dynamic range	-----	开 / 关ON/OFF	开 / 关ON/OFF
背光补偿Backlight compensation	开 / 关ON/OFF	开 / 关ON/OFF	开 / 关ON/OFF
白平衡White Balance	自动 / 手动优先 R、B可调 Auto/manual priority R、B adjustable	自动 / 手动优先 R、B可调 Auto/manual priority R、B adjustable	自动 / 手动优先 R、B可调 Auto/manual priority R、B adjustable
快门速度Shutter speed	自动 / 手动选择(1/50-1/10,000) Auto/manual(1/50-1/10,000)	自动 / 手动选择(1/1-1/10,000) Auto/manual(1/1-1/10,000)	自动 / 手动选择(1/1-1/10,000) Auto/manual(1/1-1/10,000)
AGC控制AGC control	自动 / 手动优先Auto/manual priority	自动 / 手动优先Auto/manual priority	自动 / 手动优先Auto/manual priority
同步系统Synchronization system	内置同步Built-in synchronous	内置同步Built-in synchronous	内置同步Built-in synchronous
开机自检Self-checking	有Yes		
OSD菜单OSD menu	有Yes		
LED照明距离LED lamps distance	100m		
LED波长LED the wavelength	850nm		
LED照明开启方式LED lighting open means	与摄像机联动/手动With the camera linkage/manual		
LED照明关闭方式LED lighting close means	延时关闭/与摄像机联动/手动Delay closing/with the camera linkage/manual		
预置位Preset position	256个		
通讯协议Communication protocol	P-P/D(2400 4800 9600)		
通讯地址Communication address	512个		
两点间扫描P2P Scan	4条		
自动扫描Auto-pan	1条		
自动归位Auto back home	有Yes		
水平范围Pan range	360° 旋转 360° endless		
水平速度Pan speed	0.5° - 80° /s		
垂直范围Tilt range	+90° - -90°		
垂直速度Tilt speed	0.5° - 60° /s		
长焦限速Long-focus speed limit	云台转速随镜头倍率自动调整PTZ speed follow with the lens zoom		
雨刷Wiper	内置Built-in		
风扇/加热器Fan/heater	自动Auto		
远程摄像机复位Remote camera reset	支持Support		
远程云台复位Remote PTZ reset	支持Support		
静电/浪涌保护 Electrostatic/surge protection	GB/T17626.5-2008		
外壳防护等级Enclosure protection class	IP66		
电源Power supply	DC12V电源输入 DC12V power input		
功率Power consumption	<60W		
工作温度Operation temperature	-30℃ - +60℃		
环境湿度Environmental humidity	0-90% 无冷凝 (non-condensing)		
外形尺寸Dimension	200 × 380 × 320 mm(W×H×L)		
产品重量Weight	6KG		