

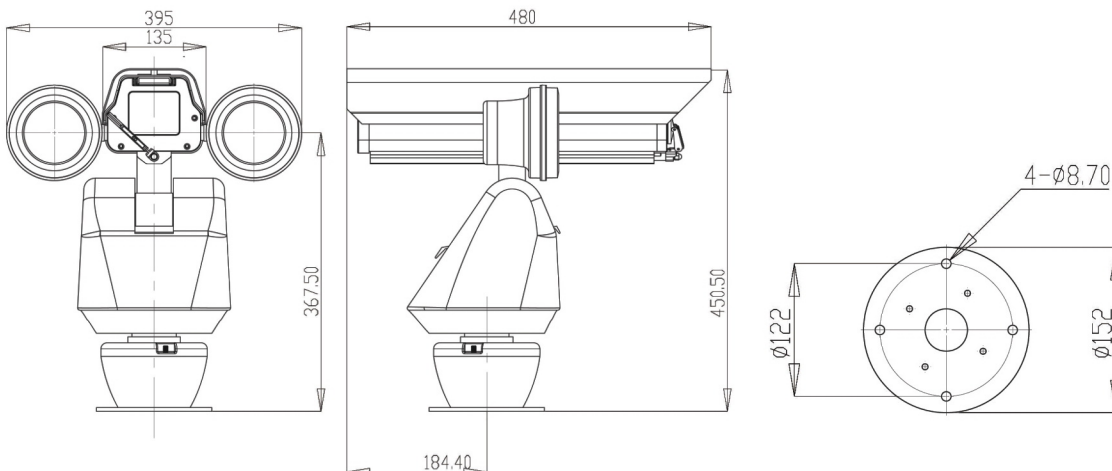
# 中型(红外)一体化云台 Medium (IR) Integrated Speed PTZ AU-M6 series



## 关键特点 Features

- ▶ 一体化无外露线的解码器,云台和防护罩
  - ▶ 支持模拟/网络二种摄像机
  - ▶ 双侧LED光源, 可挂载多种LED阵列红外灯或LED阵列白光灯
  - ▶ 水平360° 旋转, 速度18° /秒
  - ▶ 垂直-60° ~+45°, 速度18° /秒
  - ▶ 防护等级IP66
- ▶ Without exposed line for decoder, PTZ and housing
  - ▶ Support Analog / Network camera
  - ▶ The LED infrared lamps on both side suitable many kinds of LED infrared lamps or white lamps
  - ▶ 360° horizontal rotation at up to 18° /s
  - ▶ -60° ~ +45° vertical rotation at up to 18° /s
  - ▶ Protection class:IP66

## 简图Dimension: (单位Units: mm)



## 规格 Specification

型号Model	AU-M6-WB	AU-M6-IP
可装摄像机及镜头Camera type	模拟摄像机和10-210mm镜头 Analog camera and 10-210mm lens	网络摄像机和10-210mm镜头 Network camera and 10-210mm lens
开机自检Boot self-inspection	有Yes	
云台预置位PTZ preset position	16个	
通讯协议Communication protocol	P-P/D(2400, 4800, 9600)	
通讯地址Communication address	512个	
LED照明 (可选)LED lamps (optional)	双侧挂载,100米 Both sides, 100m	
LED波长LED the wavelength	850nm	
LED照明开启方式 LED lighting open means	光敏自动/手动Photosensitive auto/manual	
LED照明关闭方式 LED lighting close means	光敏自动/手动Photosensitive auto/manual	
镜头变焦/变焦/光圈控制 Lens zoom/focus/iris control	3组继电器3 groups of relay	
摄像机电源Camera power	12V 1A	
水平范围Pan range	360° 旋转 360° endless	
水平速度Pan speed	18° /s	
垂直范围Tilt range	-60° - +45°	
垂直速度Tilt speed	18° /s	
断电记忆Power off memory	支持Support	
雨刷Wiper	内置Built-in	
风扇/加热器Fan / heater	自动Auto	
恢复默认值Restore the default setting	支持Support	
防护等级Protection class	IP66	
最大载重Maximum load	17Kg	
电源Power supply	AC24V 电源输入AC24V power input	
功率Power consumption	60W (加热器25W Heater is 25W)	
工作温度Operation temperature	-30℃ - +60℃	
环境湿度Environmental humidity	0-90% ( non-condensing )	
外形尺寸Dimension	135 × 450.5 × 480 mm (W × H × L) 395 × 450.5 × 480 mm (W × H × L)(加红外灯) (with IR lamp)	
镜头及摄像机组合的最大尺寸 The maximum size of the lens and camera combination	87 × 80 × 280mm(W × H × L)	
产品重量Weight	12Kg/ 14KG(加红外灯) ( with IR Lamp )	

## 补光灯(选配件) IR Lamps (Optional)

品名Items	型号Model	数量Number	红外灯功率IR Power	照射距离Irradiation distance
LED红外灯LED infrared lamps	AU-TX8	2个/套set	15W	100米(红外850nm)100m(infrared lamps 850nm)
LED白光灯LED white lamps	AU-LX7	2个/套set	25W	80米(白光)80m(white)

## 电源适配器(选配) Power Adapter(Optional)

品名Items	型号Model	对应云台Apply PTZ	功率Power
220V-24V交流电源AC220V-AC24V	AU-S23	AU-M6	3A

## 支架(选配件)Bracket(Optional)

品名Items	型号Model	对应云台Apply PTZ
墙装支架Wall mount	AU-BW10	AU-M6