

# 重型变速一体化云台 Heavy integrated speed PTZ

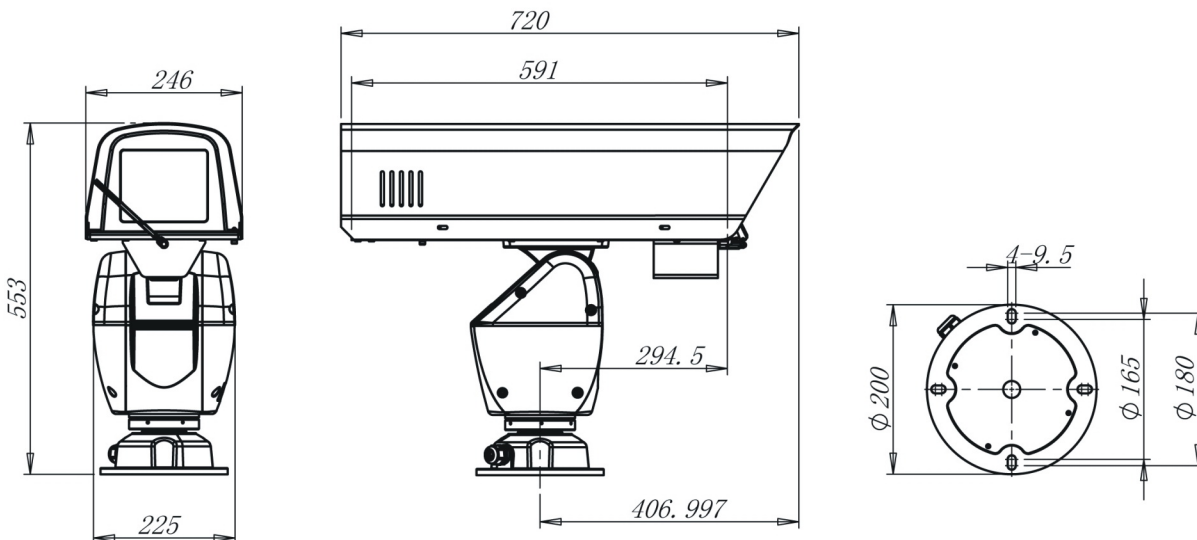
## AU-G59 series



### 关键特点 Features

- ▶ 一体化无外露线的云台和防护罩
  - ▶ 支持模拟/网络/HD-SDI三种摄像机
  - ▶ 支持远程在线升级
  - ▶ 外置传动间隙调整装置
  - ▶ 256个预置位
  - ▶ 485信号双向传输,支持GIS,雷达,视频智能分析设备联动控制
  - ▶ 镜头控制可设置三组不同的电压
  - ▶ 支持高精度镜头预置位
  - ▶ 5种扫描方式,17条带速度记忆的扫描轨迹
  - ▶ 长焦限速,云台转速随镜头倍率自动调整
  - ▶ 最大载重40kg
  - ▶ 防护等级IP66
  - ▶ AC24V/DC24V双电源输入
- ▶ Without exposed line for PTZ and housing
  - ▶ Support Analog / Network / HD-SDI camera
  - ▶ Support for remote online upgrade
  - ▶ Special adjusting device for external transmission gap
  - ▶ 256 preset positions
  - ▶ 485 two-way transmission signal, support for radar, intelligent video analysis equipment linkage control
  - ▶ Lens control can be set to three different voltage
  - ▶ Support high precision preset position
  - ▶ Scanning has 5 groups, speed memory tracking has 17 groups
  - ▶ Long-focus speed limit function, PTZ speed follow with the lens zoom
  - ▶ Maximum load 40kg
  - ▶ Protection class:IP66
  - ▶ AC24V & DC24V double power input

### 简图 Dimension(单位Units:mm)



## 规格 Specification

型号Model	AU-G59-WB	AU-G59-IP	AU-G59-SDI
可装摄像机及镜头Camera type	模拟摄像机和12.5-750mm镜头 Analog camera and 12.5-750mm lens	网络摄像机和12.5-750mm镜头 Network camera and 12.5-750mm lens	HD-SDI摄像机和12.5-750mm镜头 HD-SDI camera and 12.5-750mm lens
开机自检Boot self-inspection	有, 自动停止到1号预置位Yes, auto to preset 1		
OSD菜单OSD menu	有 Yes		
云台预置位PTZ preset position	256个		
通讯方式Communication methods	485双向传输,支持GIS, 雷达, 视频智能分析控制 485 two-way transmission signal, support for radar, intelligent video analysis equipment linkage control		
远程在线升级Remote online upgrade	支持Support		
通讯协议Communication protocol	P-P/D(2400, 4800, 9600)		
通讯地址Communication address	512个		
镜头变倍/变焦/光圈控制 Lens zoom/focus/iris control	3组继电器3 groups of relay		
镜头预置位Lens preset position	高精度镜头预置位High precision preset position		
镜头控制电压Lens control voltage	变倍/变焦可以独立设置9级控制电压Zoom / focus can Independent set 9 pole control voltage		
485接口485 interface	支持Support		
镜头变倍/变焦/光圈控制 Lens zoom/focus/iris control	1个输入控制云台, 1个输出控制摄像机1-input for PTZ, 1-output for camera		
摄像机电源Camera power	12V 1.2A		
可编程预置位扫描 Programmable preset tracking	4条,可以独立设定预置位旋转速度4 groups, every preset position can be set the turning speed		
自学习轨迹Patrol	4条, 轨迹回放带速度记忆4 groups, has the speed memory when the playback		
两点间扫描P2P scan	4条, 可以独立设定旋转速度4 groups, can be set the rotation speed independently		
360度自动扫描360° auto-pan	1条,可以设定旋转速度1 group, can be set the rotation speed		
水平垂直扫描Horizontal vertical scanning	4条,可以独立设定旋转速度4 groups, can set the rotation speed independently		
电子手动限位Electronic manual limit	可设置水平/垂直Pan/Tilt can be setting		
自动归位Auto back home	可设置6种模式6 kinds of patterns can be setting		
水平范围Pan range	360° 旋转 360° endless		
水平速度Pan speed	0.1° - 30° /s		
垂直范围Tilt range	-70° - +20°		
垂直速度Tilt speed	0.1° - 15° /s		
预置位精度Preset positions accuracy	±0.1°		
预置位精度自动恢复 Preset positions accuracy auto recovery	开/关ON / OFF		
长焦限速Long-focus speed limit	云台转速随镜头倍率自动调整PTZ speed follow with the lens zoom		
坐标显示Coordinate	屏幕显示水平,垂直角度或电子罗盘(模拟) Screen display horizontal, vertical Angle or electronic compass (only for analog)		
断电记忆Power off memory	支持Support		
雨刷Wiper	有Yes		
风扇/加热器Fan / heater	自动Auto		
远程复位Remote reset	支持Support		
通讯接口Communication interface	1路RJ45接口, 1路RS485接口 1-RJ45 interface, 1-RS485 interface		
模拟视频Analog video	1路输出1-output		
辅助开关Auxiliary switch	1路输入,2路继电器输出, 可以联动镜头透雾1-input, 2-relay output, can linkage with through-fog lens		
报警 (可选) Alarm(optional)	4路输入2路输出4-input, 2-output		
静电/浪涌保护Electrostatic/surge protection	GB/T17626.5-2008		
防护等级Protection class	IP66		
最大载重Maximum load	40Kg		
电源Power supply	AC24V /DC24V双电源输入 AC24V/DC24V double power input		
功率Power consumption	50W ( 加热器打开heater ON )		
工作温度Operation temperature	-30℃ - +60℃ ( 可选optional: -50℃ - +60℃ )		
环境湿度Environmental humidity	0-90% 无冷凝 ( non-condensing )		
外形尺寸Dimension	246 × 553 × 720mm(W × H × L)		
镜头及摄像机组合的最大尺寸 The maximum size of the lens and camera combination	180 × 140 × 540mm(W × H × L)		
产品重量Weight	30Kg		

## 电源适配器(选配) Power Adapter(Optional)

品名Items	型号Model	对应云台Apply PTZ	功率Power
220V-24V交流电源AC220V-AC24V	AU-S27	AU-G59	3A