



VIDO

大型变速一体化云台

— Large integrated speed PTZ

大型变速一体化云台

Large integrated speed PTZ

网络大型变速一体化云台

Network large integrated speed PTZ

HD-SDI大型变速一体化云台

HD-SDI large integrated speed PTZ

AU-G581 series



AU-G581

Heavy integrated speed PTZ

B

产品描述

Description

AU-G581大型变速一体化云台，为压铸铝结构，其一体化无外露线的设计非常容易安装。

AU-G581集成了变速云台，防护罩，带预置位的解码器，12V电源，雨刷，风扇，加热器，这些组件都在工厂组装完成，并经过严格测试。

防护罩内由工厂预留了三可变镜头和摄像机接线的快装安装端口，用户安装和调试时非常容易。

云台的长焦限速功能，云台的水平和垂直转速随镜头倍率变大自动降低，使用户轻松寻找远处的目标。

云台的输入电压为AC24V和DC24V双电压。

AU-G581 large integrated speed PTZ, the structure is by aluminum die-casting molding, the integrated design of without any exposed line is very easy to installation.

AU-G581 Integrated with variable speed, large housing, the decoder with the preset position, 12V power supply to camera, wiper, the heater and fan, these components have assembled in the factory, and have tested very carefully.

There are the quick installation ports for camera and lens inside of the housing; it's convenience to installation and debugging.

PTZ long-focus speed limit function, PTZ speed follow with zoom of lens, users easily find the long distance target.

PTZ inputs AC24V and DC24V both.

关键特点

Features

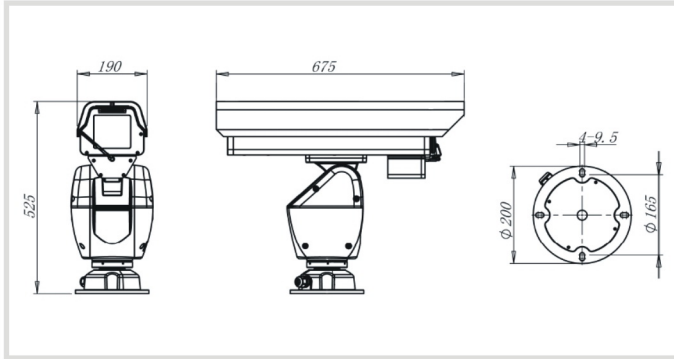
- 一体化无外露线的解码器,云台和防护罩
Without any exposed line for decoder, PTZ and large two-cabin housing
- 256个预置位
256 preset positions
- 双485接口,可分别控制云台和摄像机
Double 485 interface, can respectively control PTZ and video camera
- 485信号双向传输,支持GIS, 雷达, 视频智能分析设备联动控制
485 two-way transmission signal, the support of GIS, radar, intelligent video analysis equipment linkage control
- 镜头变倍/聚焦控制电压可从3V-10V多极调整
Lens of zoom/focus control voltage can be adjusted from 3V to 10V
- 5种扫描方式, 17条带速度记忆的扫描轨迹
Scanning has 5 groups, speed memory tracking has 17 groups
- 长焦限速,云台转速随镜头倍率自动调整
Long-focus speed limit function, PTZ speed follow with the lens zoom
- 最大载重25kg
Maximum load 25kg
- 防护等级IP66
Protection class: IP66
- AC24V/DC24V双电源输入
AC24V & DC24V both

一体化高速云台

High Speed PTZ


筒图

Dimension(单位Units : mm)



电源规格表(选购件)

Power specification (optional)

型号 Model	对应云台 Apply PTZ	功率 Power	备注 Remarks
AU-S23 	AU-G581	3A	AC220V/110V输入, AC24V输出

摄像机参数

Camera specification

型号Model	AU-G581-WB	AU-G581-IP	AU-G581-SDI
选装摄像机种类 Camera type	模拟摄像机 Analog camera	高清网络摄像机 Network HD camera	HD-SDI摄像机 HD-SDI camera
开机自检Boot self-inspection	有, 自动停止到1号预置位Yes, Auto to preset 1		
OSD菜单OSD menu	有Yes		
云台预置位PTZ Preset position	256		
通讯方式 Communication methods	485双向传输,支持GIS, 雷达, 视频智能分析控制 485 two-way transmission signal, the support of GIS, radar, intelligent video analysis equipment linkage control		
通讯协议Communication protocol	P-P/D(2400 4800 9600)	网络协议Network Protocol	P-P/D(2400 4800 9600)
通讯地址ID address	512		
电动镜头变倍/变焦/光圈控制 Electric lens zoom/focus/iris control	3组继电器3 groups of relay		
电动镜头预置位Electric lens preset position	支持 Support		
电动镜头变倍/变焦控制电压 Electric lens zoom/focus control voltage	DC3V-10V多极调整3V-10V adjustment		
485接口485 interface	1路输入控制云台, 1路输出控制摄像机1-input for PTZ, 1-output for camera		
摄像机电源Camera power	DC12V /1.2A		
可编程预置位扫描 Programmable preset tracking	4条, 可以独立设定预置位旋转速度 4 groups, every preset position can be set the turning speed		
自学习轨迹(花样扫描) Patrol	4条, 轨迹回放带速度记忆4 groups, has the speed memory when the playback		
两点间扫描P2P Scan	4条, 可以独立设定旋转速度4 groups, Can be set the rotation speed independently		
360度扫描360° auto-pan	1条, 可以设定旋转速度1group, Can be set the rotation speed		
水平垂直扫描Horizontal vertical scanning	4条, 可以独立设定旋转速度4 groups, Can set the rotation speed independently		
可编程云台手动限位 Programmable PTZ limit degree manually	水平/垂直 Pan/Tilt		
自动归位Auto back home	可设置6种模式6 kinds of patterns can be setting		
水平范围Pan range	360° 旋转 360° endless		
水平速度Pan speed	0.01° —20° /s		
垂直范围Tilt range	-45° —+20°		
垂直速度Tilt speed	0.01° —12° /s		



大型变速一体化云台

— Large integrated speed PTZ

长焦限速 Long-focus speed limit	云台转速随镜头倍率自动调整 PTZ speed follow with the lens zoom
坐标显示 Coordinate	屏幕显示水平,垂直角度或电子罗盘(仅限模拟摄像机) Screen display horizontal, vertical Angle or electronic compass (only for analog camera)
断电记忆 Off memory	支持 Support
雨刷 Wiper	有 Yes
风扇/加热器 Fan/heater	自动 Auto
恢复默认值 Restore the default setting	支持 Support
远程镜头复位 Remote reset lens	支持 Support
远程云台复位 Remote PTZ reset	支持 Support
内置接线端子 Built-in terminal	1组-镜头变倍,变焦,光圈;1组-镜头预置位;1个摄像机电源;1个RJ45座 1 group for lens zoom, focus, iris; 1 group for lens preset; 1 port for camera power; 1 port for RJ45
辅助开关 Auxiliary switch	1路输入,2路继电器输出,可以联动镜头透雾 1-input, 2-relay output, can linkage with through-fog lens
报警(可选) Alarm(optional)	4路输入2路输出 4-input, 2-output
静电/浪涌保护 Electrostatic/surge protection	GB/T17626.5-2008
防护等级 Protection class	IP66
最大载重 Maximum load	25Kg
电源 Power supply	AC24V/DC24V双电源输入 Double power input
功率 Power consumption	<100W
工作温度 Operation temperature	-35℃—+60℃
环境湿度 Environmental humidity	0-90% 无冷凝 0-90% 0-90% No condensation
外形尺寸 Dimension	190×252×675mm(W×H×L)
镜头及摄像机组合的最大尺寸 The maximum size of the lens and camera combination	135×114×450mm(W×H×L)
产品重量 Weight	18KG

可选装镜头规格表

Optional lens specification

品牌 Brand	型号 Model
富士能 Fujinon	D32
宾得 Pentax	H20ZME
u.TRON	PH22
SPACECOM	HZ10250