

# 中型(红外)高速一体化云台 Medium (IR) Integrated High Speed PTZ

## AU-G52 series



### 产品描述 Description

AU-G52红外高速一体化云台，为铝制结构，其一体化无外露线的设计非常容易安装。

AU-G52集成了LED红外灯，高速云台，防护罩，带预置位的解码器，12V电源，雨刷，风扇，加热器，这些组件都在工厂组装完成，并经过测试。

防护罩内由工厂预留了镜头和摄像机接线的快装接头，用户安装和调试时非常容易。

双侧LED光源挂载，可选配100米LED阵列红外灯或80米LED阵列白光灯。

云台的水平和垂直旋转速度达到了 $0.1^{\circ} - 100^{\circ} / S$ ，具有256个预置位。

云台的输入电压为AC24V和DC24V双电压。

AU-G52 Integration IR High Speed PTZ Camera, the structure is by aluminum die-casting molding, the integrated design of without any exposed line is very easy to installation.

AU-G52 Integrates LED, high speed PTZ, housing, the decoder with the preset position, 12V power supply to camera, wiper, the heater and fan, these components have assembled in the factory, and have tested very carefully.

There are the quick installation ports for camera, lens, it's convenience to installation and debugging.

The LED infrared lamps mounted on the both sides, of the housing or suitable 100m IR lamps or 80m white lamps.

PTZ horizontal or vertical rotation speed  $0.1^{\circ} - 80^{\circ} / s$ , with 256 preset positions.

PTZ input voltage has AC24V and DC24V both.

### 关键特点 Features

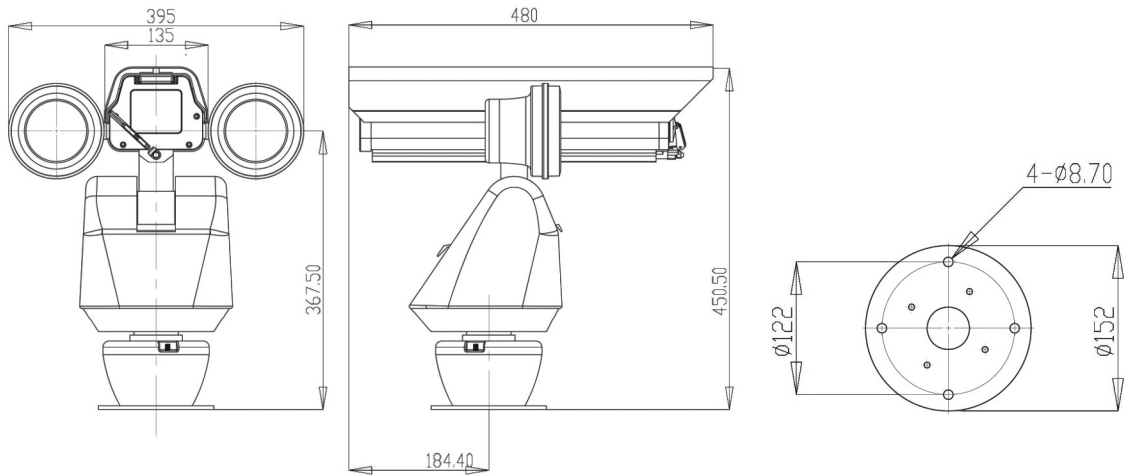
- ▶ 一体化无外露线的解码器,云台和防护罩
- ▶ 双侧LED光源,可挂载多种LED阵列红外灯或LED阵列白光灯
- ▶ 256个预置位
- ▶ 水平 $360^{\circ}$  旋转, 速度达 $0.1^{\circ} - 80^{\circ} / \text{秒}$
- ▶ 垂直 $-90^{\circ} - +40^{\circ}$ , 速度达 $0.1^{\circ} - 80^{\circ} / \text{秒}$
- ▶ 双485接口,可分别控制云台和摄像机
- ▶ 485信号双向传输, 支持雷达, 视频智能分析设备联动控制
- ▶ 5种扫描方式, 17条扫描轨迹
- ▶ 防护罩防护等级IP66
- ▶ AC24V/DC24V双电源输入

- ▶ Without exposed line for decoder, PTZ and housing
- ▶ The LED infrared lamps on both side suitable optional many kinds of LED infrared lamps or white lamps
- ▶ 256 preset positions
- ▶  $360^{\circ}$  horizontal rotation at up to  $0.1^{\circ} - 80^{\circ} / s$
- ▶  $-90^{\circ} - +40^{\circ}$  vertical rotation at up to  $0.1^{\circ} - 80^{\circ} / s$
- ▶ Double 485 interface, can respectively control the PTZ and camera
- ▶ 485 two-way transmission signal, the support of radar, intelligent video analysis equipment linkage control
- ▶ Scanning has 5 groups, tracking has 17 groups
- ▶ Protection class:IP66
- ▶ AC24V & DC24V double power input

## 规格 Specification

型号Model	AU-G52-WB	AU-G52-IP	AU-G52-SDI
开机自检Self-checking	有, 自动停止到1号预置位Yes, auto to preset 1		
OSD菜单OSD menu	有Yes		
云台预置位PTZ preset position	256个		
通讯方式Communication methods	485双向传输,支持GIS, 雷达, 视频智能分析控制 485 two-way transmission signal, the support of radar, intelligent video analysis equipment linkage control		
通讯协议Communication protocol	P-P/D(2400 4800 9600)		
通讯地址Communication address	512个		
LED照明 (可选)LED lamps (optional)	双侧挂载,100米 或80米Mounted on both sides, 100m or 80m		
LED波长LED the wavelength	850nm		
LED照明开启方式LED lighting open means	光敏自动/手动Photosensitive auto/manual		
LED照明关闭方式LED lighting close means	光敏自动/手动Photosensitive auto/manual		
电动镜头变倍/变焦/光圈控制 Electric lens zoom/focus/iris control	3组继电器3 groups of relay		
电动镜头预置位 Electric lens preset position	支持Support		
485接口485 interface	1个输入控制云台, 1个输出控制摄像机1-input for PTZ, 1-output for camera		
摄像机电源Camera power	12V 1.2A		
可编程预置位扫描 Programmable preset tracking	4条		
自学习轨迹Patrol	4条		
两点间扫描P2P scan	4条		
自动扫描Auto-pan	1条		
水平垂直扫描Horizontal vertical scanning	4条		
可编程云台手动限位 Programmable PTZ manual limit	水平/垂直Pan/Tilt		
可编程自动归位 Programmable auto back home	可设置6种模式6 kinds of patterns can be setting		
水平范围Pan range	360° 旋转 360° endless		
水平速度Pan speed	0.1° - 100° /s		
垂直范围Tilt range	-90° - +40°		
垂直速度Tilt speed	0.1° - 100° /s		
坐标显示Coordinate	屏幕显示水平,垂直角度(模拟)Screen display horizontal, vertical Angle(analog)		
断电记忆Power off memory	支持Support		
雨刷Wiper	有Yes		
风扇/加热器Fan / heater	自动Auto		
恢复默认值Restore the default setting	支持Support		
远程镜头复位Remote lens reset	支持Support		
远程云台复位Remote PTZ reset	支持Support		
内置接线端子Built-in terminal	1组(镜头变倍,变焦,光圈)1组(镜头预置位)1个(摄像机电源) 1 group(lens zoom, focus, iris) 1group(lens preset) 1(camera power)		
报警(可选)Alarm(optional)	4路输入2路输出4-input, 2-output		
静电/浪涌保护Electrostatic/surge protection	GB/T17626.5-2008		
外壳防护等级Enclosure protection class	IP66		
最大载重Maximum load	17Kg		
电源Power supply	AC24V /DC24V双电源输入AC24V / DC24V double power input		
功率Power consumption	60W (加热器25W Heater is 25W)		
工作温度Operation temperature	-30℃ - +60℃		
环境湿度Environmental humidity	0-90% ( non-condensing)		
外形尺寸Dimension	135 × 450.5 × 480 mm (W×H ×L) 395 × 450.5 × 480 mm (W×H ×L)(加红外灯) (with IR lamp)		
镜头及摄像机组合的最大尺寸The maximum size of the lens and camera combination	87 × 80 × 270 mm(W × H × L)		
视窗尺寸Window size	67 × 57mm(W × H)		
产品重量Weight	13Kg/ 15KG (加红外灯) (with IR lamp)		

## 简图 Dimension(单位Units:mm)



## 补光灯(选配件) IR Lamps (Optional)

品名Items	型号Model	数量Number	红外灯功率IR Power	照射距离Irradiation distance
LED红外灯LED infrared lamps	AU-TX8	2个/套set	15W	100米(红外850nm)100m(infrared lamps 850nm)
LED白光灯LED white lamps	AU-LX7	2个/套set	25W	80米(白光)80m(white)

## 电源适配器(选配) Power Adapter(Optional)

品名Items	型号Model	对应云台Apply PTZ	功率Power
220V-24V交流电源AC220V-AC24V	AU-S27	AU-G52	3A

## 支架(选配件) Bracket(Optional)

品名Items	型号Model	对应云台Apply PTZ
墙装支架Wall mount	AU-BW10	AU-G52