

红外高速一体化云台摄像机 IR Integrated High Speed PTZ Camera

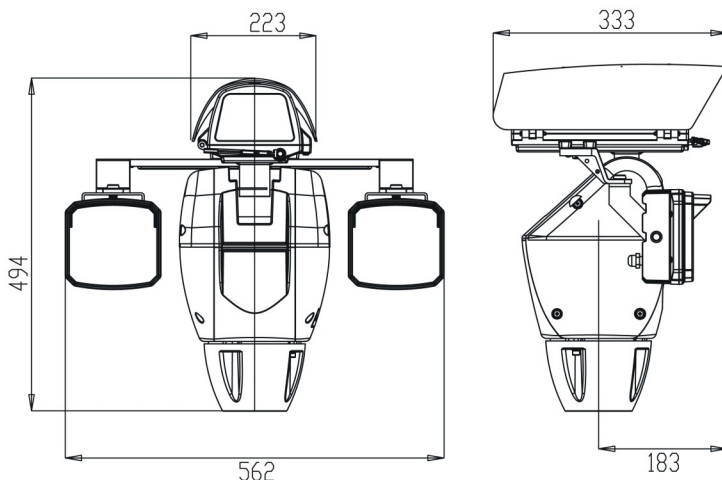
AU-G56-WB series



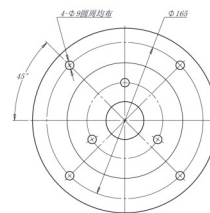
关键特点 Features

- ▶ 一体化无外露线的云台和防护罩
- ▶ 采用SONY550线一体摄像机
- ▶ 28倍/36倍光学变焦
- ▶ 宽动态功能
- ▶ 防护罩侧面开启设计，防护等级达IP67
- ▶ 支持远程在线升级
- ▶ 双侧LED光源挂载,可选配多种LED阵列红外灯或LED阵列白光灯
- ▶ 256个预置位
- ▶ 水平360° 旋转，速度达0.1° -100° /S
- ▶ 垂直-90° -+40° ，速度达0.1° -100° /S
- ▶ 预置位精度 ±0.02度
- ▶ 3D定位功能
- ▶ 5种扫描方式，17条带速度记忆的扫描轨迹
- ▶ 可选配超低待机功耗功能，待机功率<15W(加热器关和红外灯关)
- ▶ AC24V/DC24V双电源输入
- ▶ 可在风速144公里下正常工作，最多可承受208公里的风速
- ▶ Without exposed line for PTZ and housing
- ▶ SONY 550TVL camera
- ▶ 28X / 36X optical zoom
- ▶ Wide dynamic function
- ▶ Housing is the side open, Protection class: IP67
- ▶ Support for remote online upgrade
- ▶ The LED lamps are both of side, can choose many kinds of LED lamp or white lamp
- ▶ 256 preset positions
- ▶ 360° horizontal rotation at up to 0.1° - 100° /s
- ▶ -90° - +40° vertical rotation at up to 0.1° - 100° /s
- ▶ Preset positions accuracy ± 0.02°
- ▶ 3D positioning function
- ▶ Scanning has 5 groups, speed memory tracking has 17 groups
- ▶ Support the standby power consumption is low than 15W (heater & IR lamps are close) (Optional)
- ▶ AC24V & DC24V double power input
- ▶ Can be working under the winds speed does not big than 144 kilometers; Can be bear the biggest winds speed 208 kilometers

简图 Dimension(单位Units:mm)



柱装底盘尺寸Column mounted chassis size



规格 Specification

型号Model	AU-G56-WB28	AU-G56-WB36
光学倍率Optical zoom	28X	36X
视频类型Video type	PAL/NTSC (日夜转换D/N mode)	PAL/NTSC (日夜转换D/N mode)
扫描系统Scanning system	2: 1隔行扫描Interlaced	逐行扫描 progressive
有效像素Effective pixels	752(H) × 582(V)	752(H) × 582(V)
图像传感器Image sensor	1/4" CCD	1/4" CCD
视频输出Video output	1.0V[p-p] 75Ω	1.0V[p-p] 75Ω
水平分辨率Horizontal resolution	550TVL	550TVL
信噪比S/N ratio	>50dB	>50dB
镜头Lens	f3.5-98mm (F1.35)	f3.4-122.4mm (F1.6)
数字变焦Digital zoom	12X	12X
最低照度Min. illumination	彩色color:0.25Lux 黑白B/W:0Lux (红外灯开启infrared lamps open)	彩色color:1.4Lux 黑白B/W:0Lux (红外灯开启infrared lamps open)
聚焦控制Focus control	自动 / 手动优先及预置位聚焦Auto/manual priority	自动 / 手动优先及预置位聚焦Auto/manual priority
光圈控制Iris control	自动 / 手动优先Auto/manual priority	自动 / 手动优先Auto/manual priority
对焦速度Focus speed	1.9/3.6/6.0 秒可选1.9/3.6/6.0 sec optional	1.9/3.6/6.0 秒可选1.9/3.6/6.0 sec optional
宽动态范围Wide dynamic range	开 / 关 ON/OFF	开 / 关ON/OFF
背光补偿Backlight compensation	开 / 关 ON/OFF	开 / 关ON/OFF
白平衡White Balance	自动 / 手动优先 R、B可调 Auto/manual priority R、B adjustable	自动 / 手动优先 R、B可调 Auto/manual priority R、B adjustable
快门速度Shutter speed	自动 / 手动选择(1/1-1/10,000) Auto/manual(1/1-1/10,000)	自动 / 手动选择(1/1-1/10,000) Auto/manual(1/1-1/10,000)
AGC控制AGC control	自动 / 手动优先Auto/manual priority	自动 / 手动优先Auto/manual priority
同步系统Synchronization system	内置同步Built-in synchronous	内置同步Built-in synchronous
开机自检Self-checking	有, 自动停止到1号预置位Yes, auto to preset 1	
OSD菜单OSD menu	有Yes	
LED照明 (可选)LED lamps(optional)	双侧挂载,150米 或250米both sides, 150m or 250m	
LED波长LED the wavelength	850nm (可选: 940nm或白光) 850nm(optional 940nm or white lamps)	
LED照明控制LED lamps control	支持分组打开/手动Support packet open / manual	
LED照明开启/关闭 LED lighting open/close	与摄像机联动/光敏自动/手动With the camera linkage/photosensitive auto/manual	
预置位Preset position	256个	
通讯方式Communication methods	485双向传输485 two-way transmission	
远程在线升级Remote online upgrade	支持Support	
通讯协议Communication protocol	P-P/D(2400, 4800, 9600)	
通讯地址Communication address	512个	
可编程预置位扫描 Programmable preset tracking	4条,可以独立设定预置位旋转速度4 groups, every preset position can be set the turning speed	
自学习轨迹Patrol	4条, 轨迹回放带速度记忆4 groups, has the speed memory when the playback	
两点间扫描P2P scan	4条, 可以独立设定旋转速度4 groups, can be set the rotation speed independently	
自动扫描Auto-pan	1条,可以设定旋转速度1 group, can be set the rotation speed	
水平垂直扫描 Horizontal vertical scanning	4条, 可以独立设定旋转速度4 groups, can set the rotation speed independently	
电子手动限位Electronic manual limit	可设置水平/垂直Pan/Tilt can be setting	
自动归位Auto back home	可设置6种模式6 kinds of patterns can be setting	
水平范围Pan range	360° 旋转 360° endless	
水平速度Pan speed	0.1° - 100° /s	
垂直范围Tilt range	-90° - +40°	
垂直速度Tilt speed	0.1° - 100° /s	
预置位精度Preset positions accuracy	±0.02°	
预置位精度辅助装置 Preset positions accuracy assist device	两个力矩增强弹簧Two moment of spring	

预置位精度自动恢复 Preset positions accuracy auto recovery	开/关ON / OFF
隐私遮盖Privacy mask zone	24
帧冻结Freeze frame	支持Support
3D定位3D positioning	支持Support
长焦限速Long-focus speed limit	云台转速随镜头倍率自动调整PTZ speed follow with the lens zoom
坐标显示Coordinate	屏幕显示水平,垂直角度和变焦倍数Screen display horizontal, vertical Angle and zoom multiples
断电记忆Power off memory	支持Support
雨刷Wiper	内置Built-in
风扇/加热器Fan/heater	自动Auto
远程复位Remote reset	支持摄像机/云台Support camera/PTZ
报警(可选)Alarm(optional)	4路输入2路输出4-input, 2-output
辅助开关Auxiliary switch	1路输入,2路继电器输出1-input, 2-relay output
静电/浪涌保护 Electrostatic/surge protection	GB/T17626.5-2008
云台防护等级PTZ protection class	IP66
防护罩防护等级 Housing protection class	IP67
电源Power supply	AC24V / DC24V双电源输入 (可选AC220V电源输入) AC24V / DC24V double power input(optional AC220V input)
功率Power consumption	60W (加热器25W) (可选: 超低待机功耗<15W- 加热器关和红外灯关) 60W (Heater is 25W) (optional : low standby power consumption<15W, heater and LED lamps OFF)
工作温度Operation temperature	-30℃ - +60℃ (可选optional: -50℃ - +60℃)
环境湿度Environmental humidity	0~ 90% 无冷凝 (non-condensing)
外形尺寸Dimension	223 × 494 × 333mm(W × H × L) 562 × 494 × 333mm(W × H × L) (加红外灯) (with IR lamps)
产品重量Weight	19KG/ 22KG(加红外灯) (with IR lamps)