

HD-SDI激光高速一体化云台摄像机 HD-SDI Laser Integrated High Speed PTZ Camera

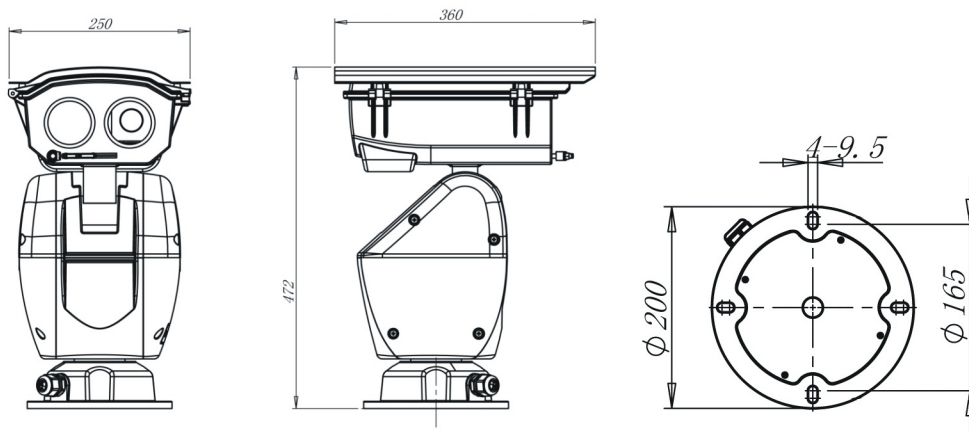
AU-F17-SDI series



关键特点 Features

- 一体化无外露线的云台和防护罩
- 采用SONY高性能327万CMOS图像传感器
- 最高支持1920*1080的HD-SDI视频输出
- 超级宽动态效果和图像降噪功能
- 防护罩侧面开启设计, 防护等级达IP67
- VD-II激光匀化技术
- 激光变焦与镜头变倍同步, 照明距离达400米
- 支持远程在线升级
- 水平360° 旋转, 速度达0.1° -100° /S
- 垂直-90° -+40° , 速度达0.1° -100° /S
- 预置位的精度±0.02度
- 3D定位功能
- 5种扫描方式, 17条带速度记忆的扫描轨迹
- 可选配超低待机功耗功能, 待机功率<15W
 (加热器关和激光灯关)
- AC24V/DC24V双电源输入
- Without exposed line for PTZ and housing
- SONY high performance 3.27Mega pixel CMOS image sensor
- The highest support 1920 * 1080 HD-SDI video output
- Super wide dynamic effect and image noise reduction function
- Housing is the side open, Protection class: IP67
- VD-II laser homogenization technology
- Laser zoom follow with lens zoom, Laser distance covers to 400 meters
- Support for remote online upgrade
- 360° horizontal rotation at up to 0.1° - 100° /s
- -90° - +40° vertical rotation at up to 0.1° - 100° /s
- Preset positions accuracy ±0.02°
- 3D positioning function
- Scanning has 5 groups, speed memory tracking has 17 groups
- Support the standby power consumption is low than 15W
 (heater & laser lamps are close) (Optional)
- AC24V & DC24V double power input

简图 Dimension(单位Units: mm)



规格 Specification

型号Model	AU-F17-SDI20D-400	AU-F17-SDI30D-400
图像传感器Image sensor	1/2.8" CMOS	1/2.8" CMOS
有效像素Effective pixels	1920 X 1080	1920 X 1080
水平解析度Horizontal resolution	1000TVL(彩色color)	1000TVL(彩色color)
光学倍率Optical zoom	20X	30X
焦距Focal length	f4.7 – 94mm	f4.3 – 129mm
最低照度Min. illumination	彩色color: 0.05Lux 黑白B/W: 0Lux (激光灯开启laser open)	彩色color: 0.05Lux 黑白B/W: 0Lux (激光灯开启laser open)
透雾功能Through fog	--	支持Support
增益控制Gain control	自动/手动Auto/Manual	
白平衡White Balance	自动/手动/跟踪/室外/室内/室外自动Auto/Manual/Tracking/Outdoor/Indoor/Outdoor auto	
数字变倍Digital zoom	16X	
背光补偿Back light compensation	开/关ON/OFF	
电子快门Electronic shutter	1/1 ~ 1/30000	
光圈控制Iris control	手动/自动Manual/Auto	
宽动态Wide dynamic	支持Support	
数字降噪Digital noise reduction	支持Support	
信噪比S/N ratio	> 50dB (AGC Off)	
画面翻转picture flip	支持Support	
曝光补偿Exposure compensation	支持Support	
输出格式Output format	1080P/30 1080P/25 1080i/60 1080i/50 720P/60 720P/50 720P/30 720P/25	
开机自检Self-checking	有, 自动停止到1号预置位Yes, auto to preset 1	
OSD菜单 OSD menu	有 (云台/摄像机) Yes(PTZ/camera)	
激光照明距离 Laser illumination distance	400m	
激光波长Laser wavelength	808nm (可选optional 940nm)	
激光变焦范围Laser zoom range	1.5° -60°	
激光变焦控制 Laser zoom control mode	与镜头变倍联动/手动With the lens linkage/manual	
激光照明开启/关闭 Laser illumination open/close	与摄像机联动/手动With the camera linkage/manual	
预置位Preset position	256个	
通讯方式Communication methods	485双向传输 485 Two-way transmission	
远程在线升级Remote online upgrade	支持Support	
通讯协议Communication protocol	P-P/D(2400, 4800, 9600)	
通讯地址Communication address	512个	
可编程预置位扫描 Programmable preset tracking	4条, 可以独立设定预置位旋转速度 4 groups, every preset position can be set the turning speed	
自学习轨迹Patrol	4条, 轨迹回放带速度记忆 4 groups, has the speed memory when the playback	
两点间扫描P2P Scan	4条, 可以独立设定旋转速度4 groups, Can be set the rotation speed independently	
自动扫描Auto-pan	1条, 可以设定旋转速度1group, Can be set the rotation speed	
水平垂直扫描 Horizontal vertical scanning	4条, 可以独立设定旋转速度4 groups, Can set the rotation speed independently	
电子手动限位Electronic manual limit	可设置水平/垂直Pan/Tilt can be setting	
自动归位Auto back home	可设置6种模式6 kinds of patterns can be setting	
水平范围Pan range	360° 旋转 360° endless	
水平速度Pan speed	0.1° -100° /s	
垂直范围Tilt range	-90° -+40°	
垂直速度Tilt speed	0.1° -100° /s	
预置位精度Preset positions accuracy	± 0.02°	
预置位精度辅助装置Preset Positions accuracy assist device	两个力矩增强弹簧 Two moment of spring	
预置位精度恢复Preset Positions accuracy recovery	开/关 ON/OFF	

3D定位3D positioning	支持Support
长焦限速Long-focus speed limit	云台转速随镜头倍率自动调整PTZ speed follow with the lens zoom
断电记忆Power off memory	支持Support
雨刷Wiper	内置Built-in
风扇/加热器Fan/heater	自动Auto
远程复位Remote reset	支持摄像机/云台Support camera/PTZ
报警(可选)Alarm(optional)	4路输入2路输出4-input, 2-output
辅助开关Auxiliary switch	1路输入,2路继电器输出1-input, 2-relay output
静电/浪涌保护 Electrostatic/surge protection	GB/T17626.5-2008
云台防护等级PTZ protection class	IP66
防护罩防护等级 Housing protection class	IP67
电源Power supply	AC24V /DC24V双电源输入 AC24V /DC24V double power input
功率Power consumption	75W (加热器25W) (可选: 超低待机功耗<15W- 加热器关和红外灯关) 75W (Heater is 25W) (optional : low standby power consumption<15W, heater and Laser lamps OFF)
工作温度Operation temperature	-30℃ - +60℃ (可选optional: -50℃ - +60℃)
环境湿度Environmental humidity	0-90% 无冷凝 (non-condensing)
外形尺寸Dimension	250 × 472 × 360mm(W × H × L)
产品重量Weight	20KG

电源适配器(选配) Power Adapter (Optional)

品名 Name of a commodity	型号 Model	对应云台 Apply PTZ	功率 Power
220V-24V交流电源 AC220V-AC24V	AU-S27	AU-F17	3A